

# Keystone Code Consulting and Enforcement

PO Box 391

Bethlehem, Pennsylvania 18016-0391

---

**Phone 610.866.9663**

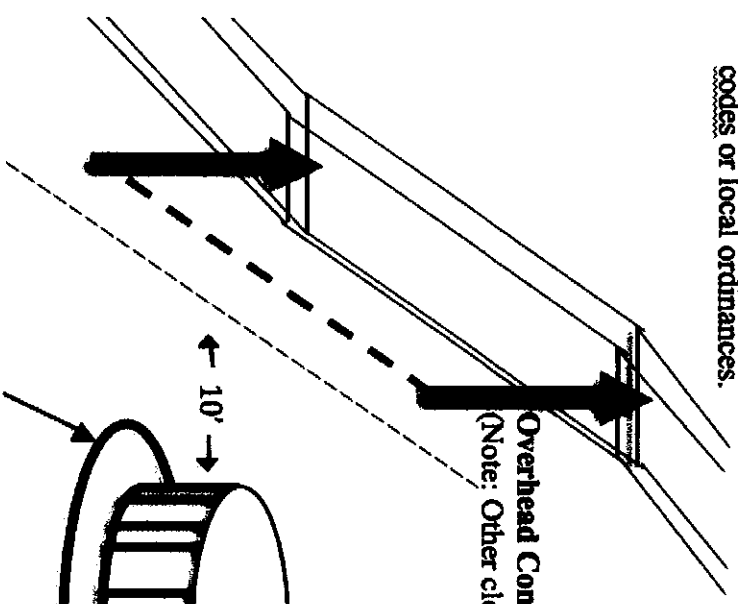
**Fax 610.866.2664**

1. A GFCI protected convenience receptacle is needed 6' to 20' from the pool and should be connected to a general purpose circuit (not the pump circuit.) It must have an in-use cover.
2. No receptacles are allowed within 6' of pool.
3. Pool pump receptacle needs to be 20 amp twist lock type and must be GFCI protected with an in use cover (6' to 10' away from pool.)
4. Conduit for the pool pump shall have a minimum cover of 18", of dirt or fill, on top of the conduit.
5. Pool pump receptacle shall be mounted on a post usually 4' x 4' pressure treated.
6. Pool pump receptacle feed wired shall be individual conductors in rigid conduit (PVC or metal.) Black, white, green #12 THHN/THWN.
7. Pool motor needs to be bonded to the pool with a #8 **SOLID** copper wire.
8. If the ladder is metal it must also be bonded to the pool.
9. All metal within 5' of inside wall of pool shall be bonded to the pool with #8 **SOLID** copper.
10. Bonding connectors shall be stainless steel, brass, copper, or copper alloy.
11. The pool pump shall have a max 3' cord with a twist lock plug factory installed.
12. If a new sub-panel is installed to supply power to pool equipment, it must have feeders that run in conduit with an insulated ground wire.
13. No overhead lines can be within 10' horizontally of the walls of the pool. There are also other restrictions to the height of the wires which may apply.
14. Equipotential plane must be installed with #8 Bare Solid Copper 18"-24" from pool, 4"-6" below grade, and attached to pool in 4 locations
15. Pool water must be bonded with a minimum conductive surface area of 9 square inches. Bond to #8 solid copper bond system

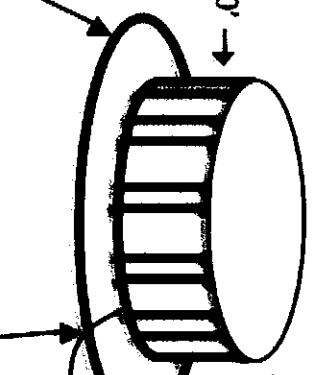
**\* GFCI = GROUND FAULT CIRCUIT INTERRUPTER**

**PLEASE NOTE:** These are guidelines to help. **ALL** current codes and regulations must be followed, even if not listed on this sheet.

Note: This drawing is intended to aid in the wiring of your pool. It is not a guarantee that the inspection will pass and does not relieve you of compliance with the applicable codes or local ordinances.

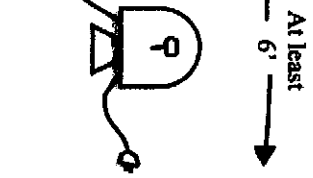


Equipotential plane #8 bare solid copper 18-24" from pool 4-6" below grade around entire pool connected to pool in min. (4) locations

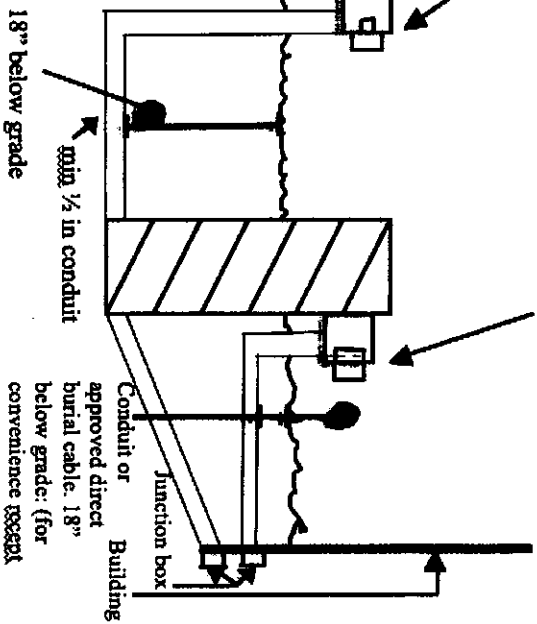


Overhead Conductors  
(Note: Other clearances may apply)

Single twist-lock GFCI protected with dome cover (in use cover)



One receptacle not less than 6' or more than 20' GFCI protected w/ in use cover. Note: All recepts. must be GFCI protected and no recepts. can be less than 6' from pool



### Above Ground Pool

**Electric Guideline**  
GFCI & non-GFCI circuits cannot be run in the same conduit

# Keystone Code Consulting and Enforcement